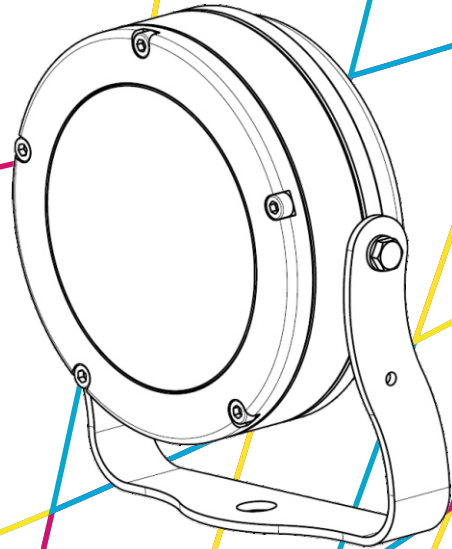
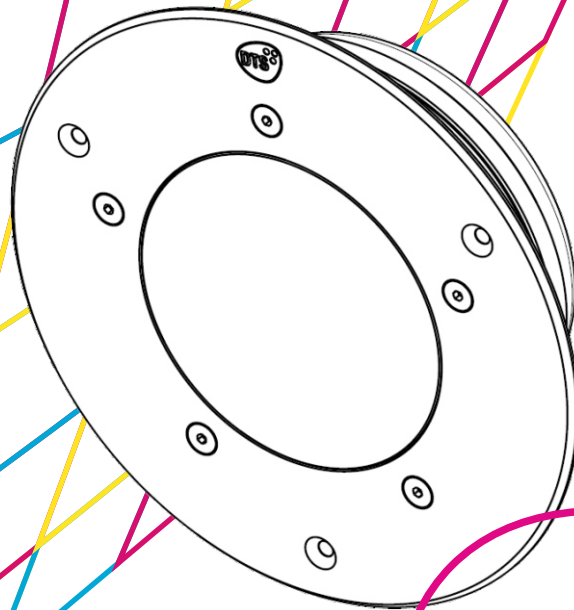


EOS 6 - EOS 9



**EOS 6 FC
EOS 9 WHITE**

CE



**EOS 6 R FC
EOS 9 R WHITE**

User's Manual rel 2.0 GB

D.T.S. Illuminazione srl - ITALY
<http://www.dts-lighting.it>



Made in Italy

Le informazioni contenute in questo documento sono state attentamente redatte e controllate. Tuttavia non è assunta alcuna responsabilità per eventuali inesattezze. Tutti i diritti sono riservati e questo documento non può essere copiato, fotocopiato, riprodotto per intero o in parte senza previo consenso scritto della D.T.S .

DTS si riserva il diritto di apportare senza preavviso cambiamenti e modifiche estetiche , funzionali o di design a ciascun proprio prodotto. D.T.S non assume alcuna responsabilità sull'uso o sull'applicazione dei prodotti o dei circuiti descritti.

The information contained in this publication has been carefully prepared and checked. However, no responsibility will be taken for any errors. All rights are reserved and this document cannot be copied, photocopied or reproduced, in part or completely, without prior written consent from D.T.S. D.T.S. reserves the right to make any aesthetic, functional or design modifications to any of its products without prior notice. D.T.S. assumes no responsibility for the use or application of the products or circuits described herein.

Les informations contenues dans le présent manuel ont été rédigées et contrôlées avec le plus grand soin. Nous déclinons toutefois toute responsabilité en cas d'éventuelles inexactitudes. Tous droits réservés. Ce document ne peut être copié, photocopié ou reproduit, dans sa totalité ou partiellement, sans le consentement préalable de D.T.S.

D.T.S. se réserve le droit d'apporter toutes modifications et améliorations esthétiques, fonctionnelles ou de design, sans préavis, à chacun de ses produits. D.T.S. décline toute responsabilité sur l'utilisation ou sur l'application des produits ou des circuits décrits.

Las informaciones contenidas en este documento han sido cuidadosamente redactadas y controladas. Con todo, no se asume ninguna responsabilidad por eventuales inexactitudes. Todos los derechos han sido reservados y este documento no puede ser copiado, fotocopiado o reproducido, total o parcialmente, sin previa autorización escrita de D.T.S.

D.T.S. se reserva el derecho a aportar sin previo aviso cambios y modificaciones de carácter estético, funcional o de diseño a cada producto suyo. D.T.S. no se asume responsabilidad de ningún tipo sobre la utilización o sobre la aplicación de los productos o de los circuitos descritos.

TECHNICAL SPECIFICATIONS

EOS 6 FC

DTS Product codes:

03.EOB001E20FC10	EOS 6 FC Narrow lenses Grey Glitter finishing
03.EOB001E20FC25	EOS 6 FC Medium flood lenses Grey Glitter finishing
03.EOB001E20FC40	EOS 6 FC Wide flood lenses Grey Glitter finishing

Output

6 Full Color (RGBW) LEDs
Lumens: 3320 @ 700mA
LEDs lifespan: 70.000 hours (70% lumen output)

Optical group

3 lenses sets available: Narrow, Medium flood, Wide flood

Color generation

16 million colors
Wide palette of pure uniform whites with variable linear color temperature (2700K-8000K)

Power supply

SELV remote control gear:
Constant current 700mA
Max output voltage 60Vdc

Power consumption

60W max

Connections

Cable with M12 male connector (90 cm)

Operating temperature

-10° / 40°C

Physical

IP65
Housing: Aluminium
Weight: 2.2 Kg
Finishing: Grey Glitter

Certifications

Class III LED product



TECHNICAL SPECIFICATIONS

EOS 9 WHITE

DTS Product codes:

03.EOB003E20WB10	EOS 9 3000K Narrow lenses Grey Glitter finishing
03.EOB003E20WB25	EOS 9 3000K Medium flood lenses Grey Glitter finishing
03.EOB003E20WB40	EOS 9 3000K Wide flood lenses Grey Glitter finishing

Output

9 White 3000K LEDs

CRI > 80

Lumens: 1827 @ 700mA

Also available with 2700K, 4000K and 5600K LEDs

LEDs lifespan: 70.000 hours (70% lumen output)

Optical group

3 lenses sets available: Narrow, Medium flood, Wide flood

Power supply

SELV remote control gear:

Constant current 700mA

Max output voltage 60Vdc

Power consumption

18W max

Connections

End-stripped 2 x 0,75 sq mm cable (90 cm)

Operating temperature

-10° / 40°C

Physical

IP65

Housing: Aluminium

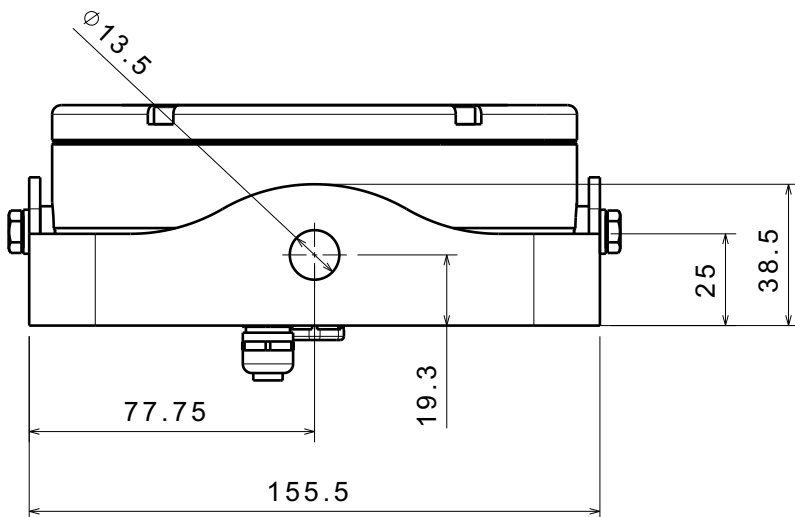
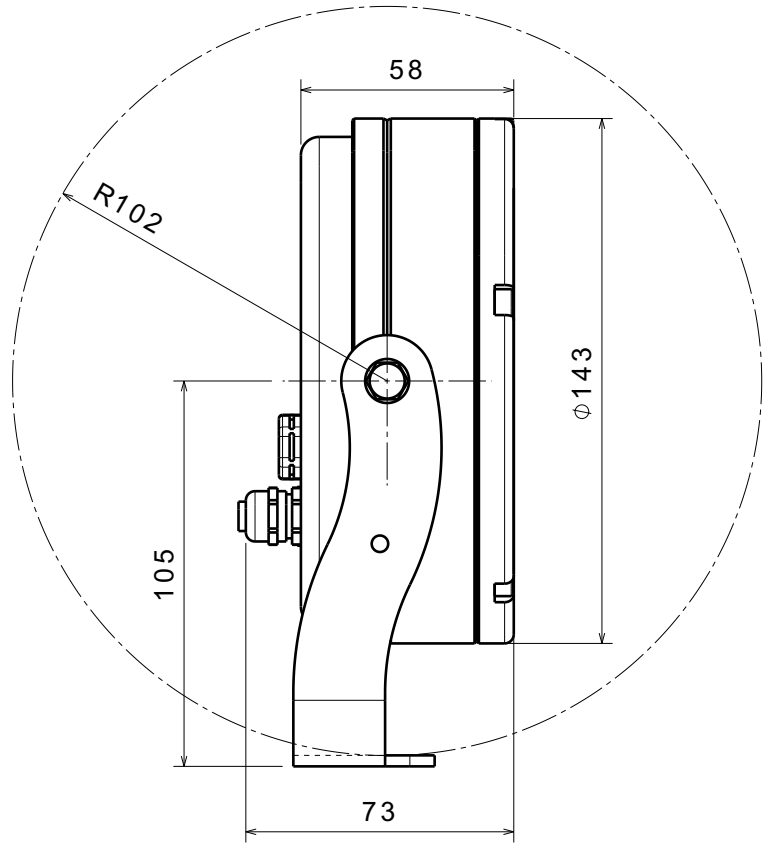
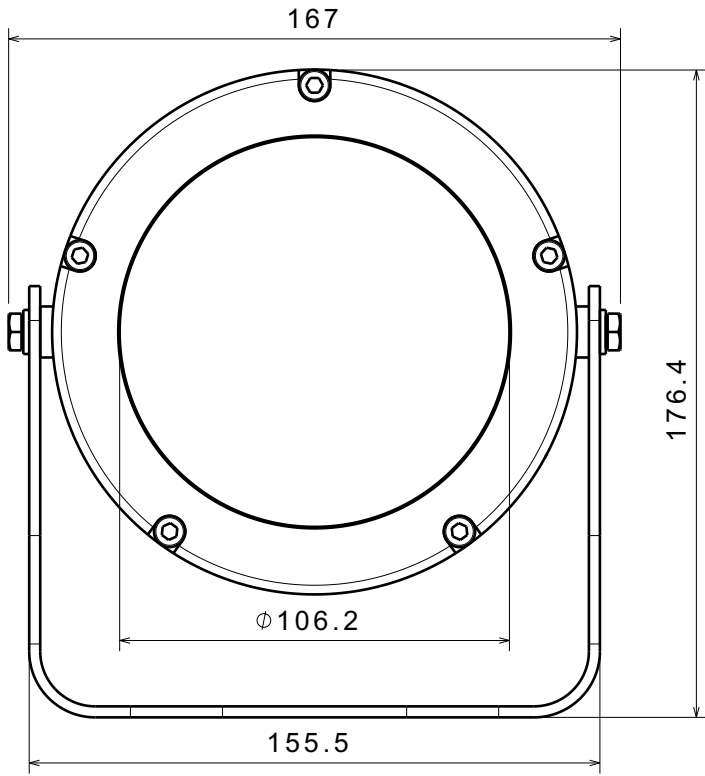
Weight: 2.2 Kg

Finishing: Grey Glitter

Certifications

Class III LED product



DIMENSIONS**EOS 6 FC
EOS 9 WHITE**

TECHNICAL SPECIFICATIONS

EOS 6 R FC

DTS Product codes:

03.EOS001E21FC10	EOS 6 R FC Narrow lenses
03.EOS001E21FC25	EOS 6 R FC Medium flood lenses
03.EOS001E21FC40	EOS 6 R FC Wide flood lenses

Output

6 Full Color (RGBW) LEDs
Lumens: 3320 @ 700mA
LEDs lifespan: 70.000 hours (70% lumen output)

Optical group

3 lenses sets available: Narrow, Medium flood, Wide flood

Color generation

16 million colors
Wide palette of pure uniform whites with variable linear color temperature (2700K-8000K)

Power supply

SELV remote control gear:
Constant current 700mA
Max output voltage 60Vdc

Power consumption

60W max

Connections

Cable with M12 male connector (90 cm)

Operating temperature

-10° / 40°C

Physical

IP65
IK protection degree: IK09
Housing: Aluminium
Weight: 2.2 Kg

Certifications

Class III LED product



TECHNICAL SPECIFICATIONS

EOS 9 R WHITE

DTS Product codes:

03.EOS003E99WB10	EOS 9 R 3000K Narrow lenses
03.EOS003E99WB25	EOS 9 R 3000K Medium flood lenses
03.EOS003E99WB40	EOS 9 R 3000K Wide flood lenses

Output

9 White 3000K LEDs

CRI > 80

Lumens: 1827 @ 700mA

Also available with 2700K, 4000K and 5600K LEDs

LEDs lifespan: 70.000 hours (70% lumen output)

Optical group

3 lenses sets available: Narrow, Medium flood, Wide flood

Power supply

SELV remote control gear:

Constant current 700mA

Max output voltage 60Vdc

Power consumption

18W max

Connections

End-stripped 2 x 0,75 sq mm cable (90 cm)

Operating temperature

-10° / 40°C

Physical

IP65

IK protection degree: IK09

Housing: Aluminium

Weight: 2.2 Kg

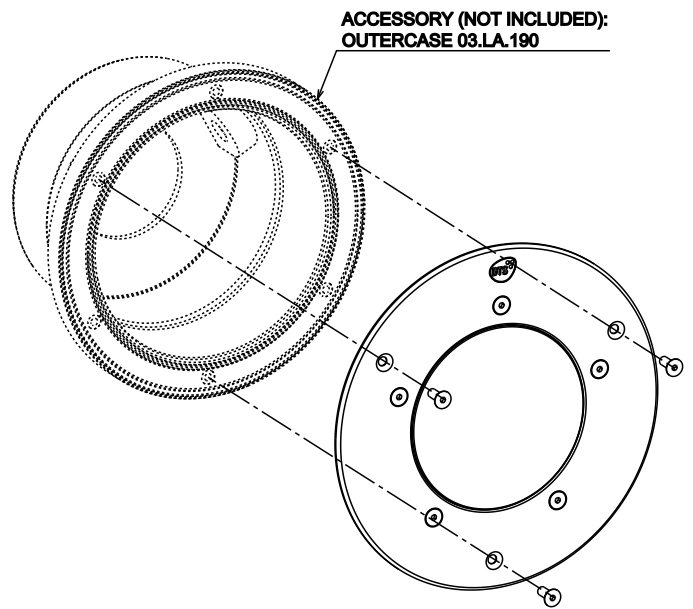
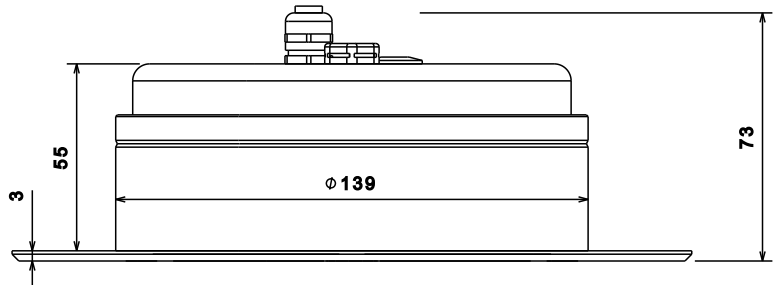
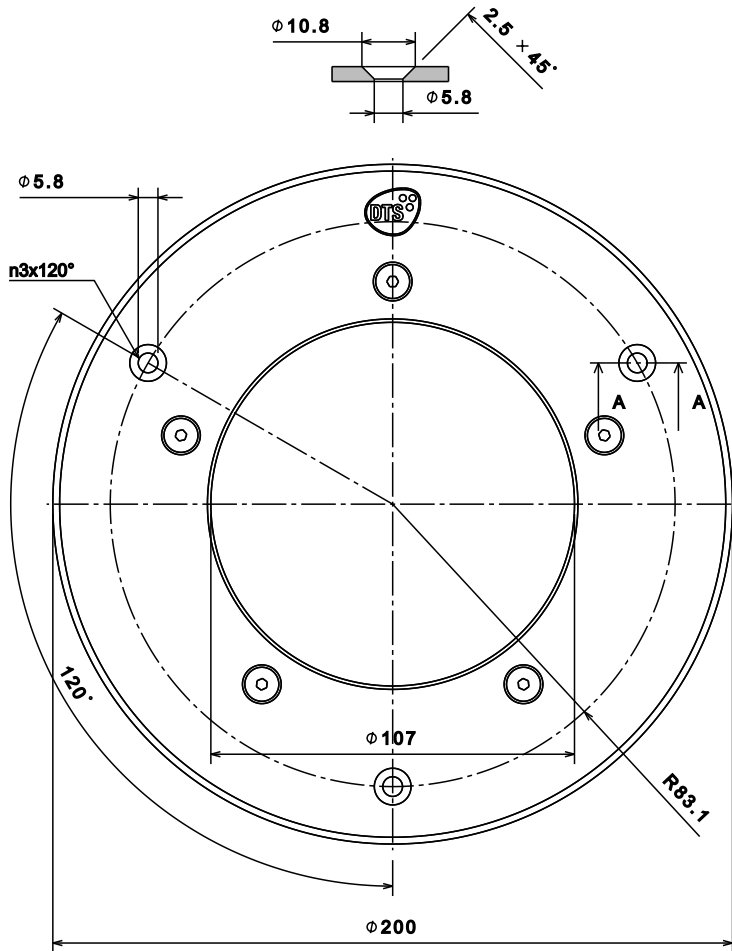
Certifications

Class III LED product



DIMENSIONS

EOS 6 R FC
EOS 9 R WHITE



IMPORTANT SAFETY INFORMATION

Safety:

- Class III LED product. Use only SELV remote control gears.
- The unit must be powered only by Constant Current PSU. To avoid damage, do not connect the unit to any Constant Voltage PSU.
- Risk Group 1 product according to IEC 62471.
- The luminaire is intended for professional use only.
- The light source contained in this luminaire shall only be replaced by the manufacturer or his service agent or a similar qualified person.
- Terminal block not included. Installation must be performed by a qualified person.
- If the external flexible cable or cord of this luminaire is damaged, it shall be exclusively replaced by the manufacturer or his service agent or a similar qualified person in order to avoid a hazard.
- Minimum distance of flammable materials from the surface 0.5m .
- The ambient temperature should not exceed 40°C and should not be lower than -10°C.

Waste Electrical and Electronic Equipment (WEEE) directive:

The unit, accessories and packaging should be sorted for environmental-friendly recycling.

For EC countries: according to the European Directive 2012/19/EU for Waste Electrical and Electronic Equipment and its implementation into national right, luminaires that are no longer usable must be collected separately and disposed of in an environmentally correct manner.

INSTALLATION

The unit is suitable for wet locations.

EOS 6 and EOS 9 can be installed on a wall or on a truss.

For truss mounting installation, it is recommended the use of appropriate clamps to fix the unit to the mounting surface.

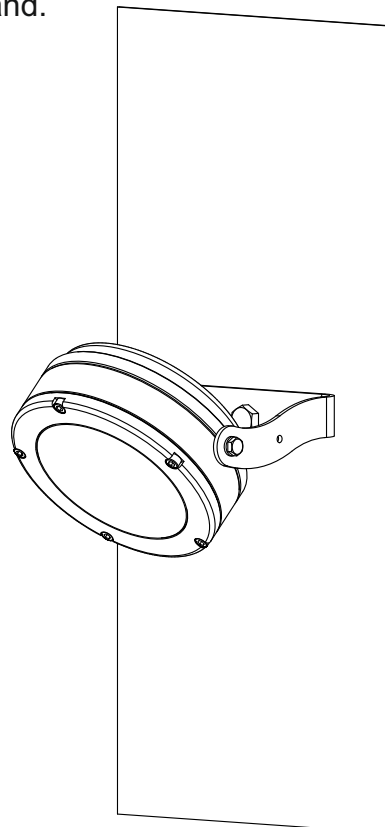
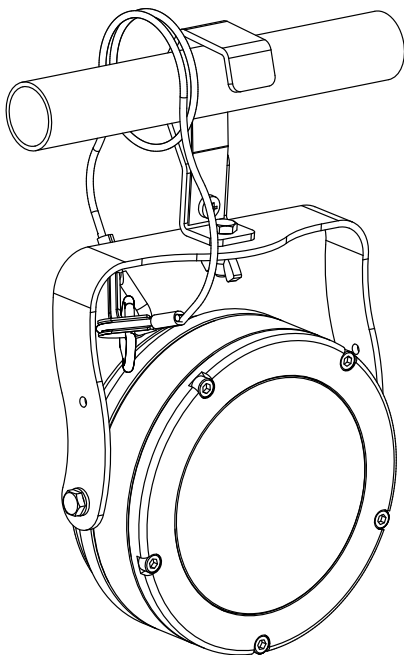
Suitable fixing clamps are available on demand.

ATTENTION:

A safety cable must be securely fixed to the unit's bracket and to the suspension truss as shown in the picture below in order to avoid the fixture accidentally falling should the main fixing point fail.

Make sure that the safety cable can bear the weight of the entire unit.

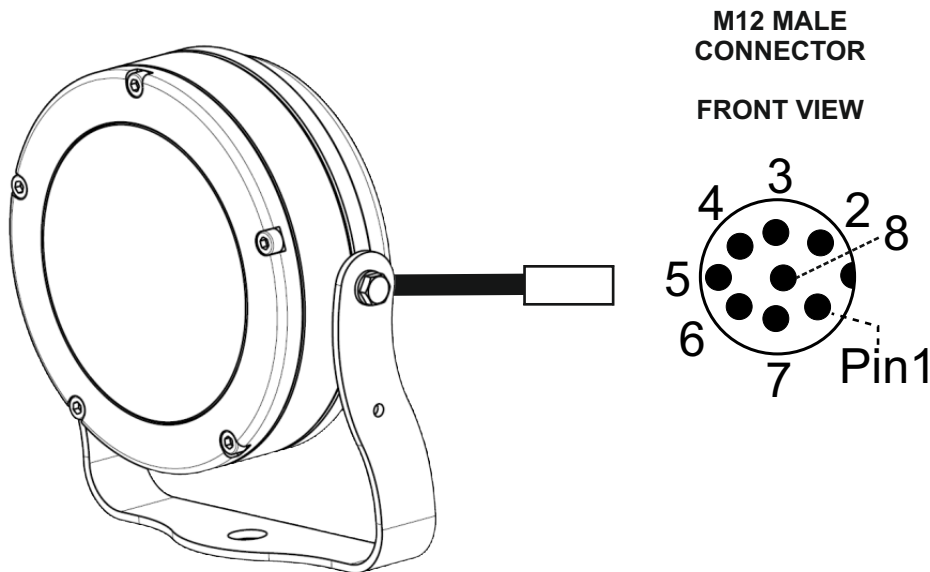
A suitable safety cable (code 0521A010) is available on demand.



**EXAMPLE OF INSTALLATION
WITH FIXING CLAMP FOR TRUSS
(NOT INCLUDED)**

CONNECTIONS

EOS 6 FC and EOS 6 R FC are provided with a cable with M12 male connector (90 cm length).



M12 MALE
CONNECTOR

FRONT VIEW

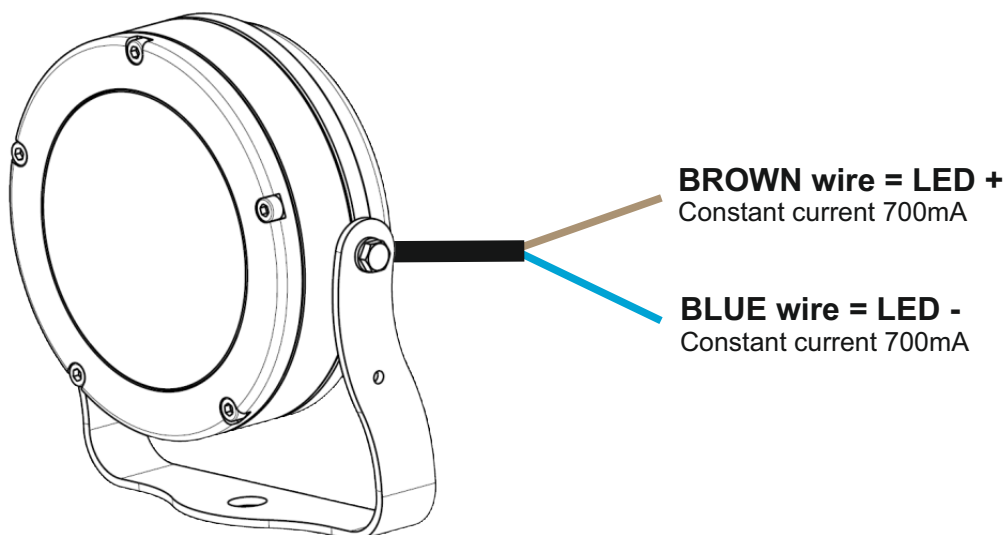
CONNECTION		
PIN OUT	LED	WIRES COLOURS
PIN 1	RED +	WHITE
PIN 2	RED -	BROWN
PIN 3	GREEN +	GREEN
PIN 4	GREEN -	YELLOW
PIN 5	BLUE +	GREY
PIN 6	BLUE -	PINK
PIN 7	WHITE -	BLUE
PIN 8	WHITE +	RED

CLASS III LED product. Use only SELV remote control gear.

The unit must be powered only by Constant Current PSU. To avoid damage, do not connect the unit to any Constant Voltage PSU.

If the external flexible cable or cord of this luminaire is damaged, it shall be exclusively replaced by the manufacturer or his service agent or a similar qualified person in order to avoid a hazard.

EOS 9 WHITE and EOS 9 R WHITE are provided with a 2 x 0,75 sq mm cable (90 cm length).



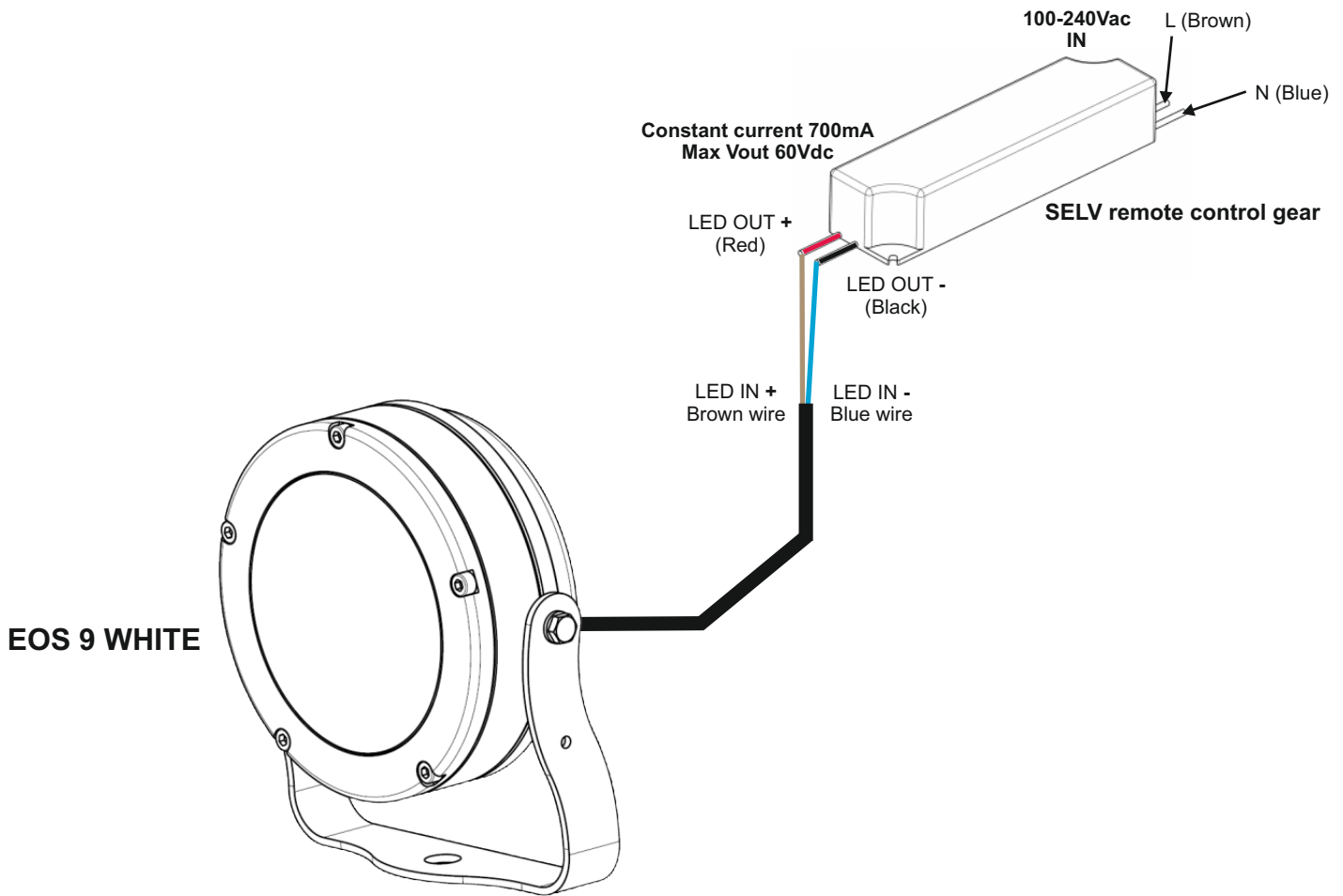
CLASS III LED product. Use only SELV remote control gear.

The unit must be powered only by Constant Current PSU. To avoid damage, do not connect the unit to any Constant Voltage PSU.

Terminal block not included. Installation must be performed by a qualified person.

If the external flexible cable or cord of this luminaire is damaged, it shall be exclusively replaced by the manufacturer or his service agent or a similar qualified person in order to avoid a hazard.

CONNECTION DIAGRAMS



CLASS III LED product. Use only SELV remote control gear.

The unit must be powered only by Constant Current PSU. To avoid damage, do not connect the unit to any Constant Voltage PSU.

Terminal block not included. Installation must be performed by a qualified person.

If the external flexible cable or cord of this luminaire is damaged, it shall be exclusively replaced by the manufacturer or his service agent or a similar qualified person in order to avoid a hazard.

PROUDLY
MADE IN ITALY



DTS products are designed
and manufactured at the
DTS plants in Italy



ISO 9001:2015

DTS quality system is certified
to the ISO 9001:2015 standard

D.T.S. Illuminazione s.r.l - Via Fagnano Selve 12-14
47843 Misano Adriatico (RN) Italy
Tel.: +39 0541 611131 Fax +39 0541 611111
Info@dts-lighting.it www.dts-lighting.it



05171255